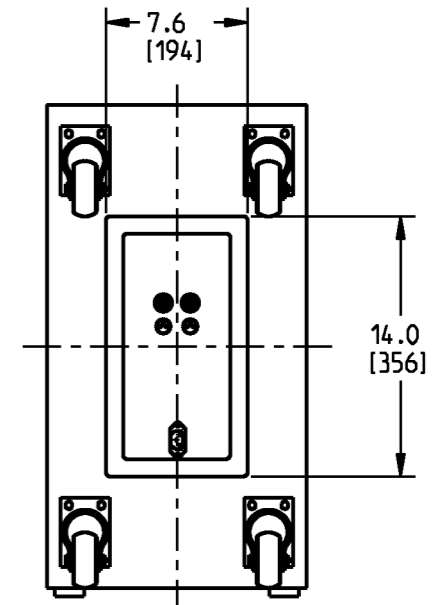
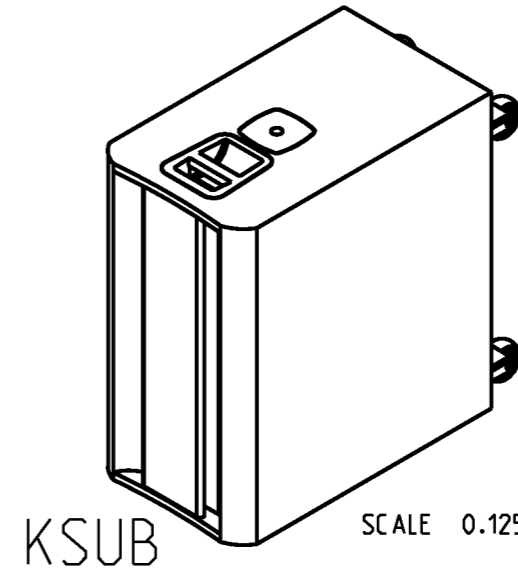
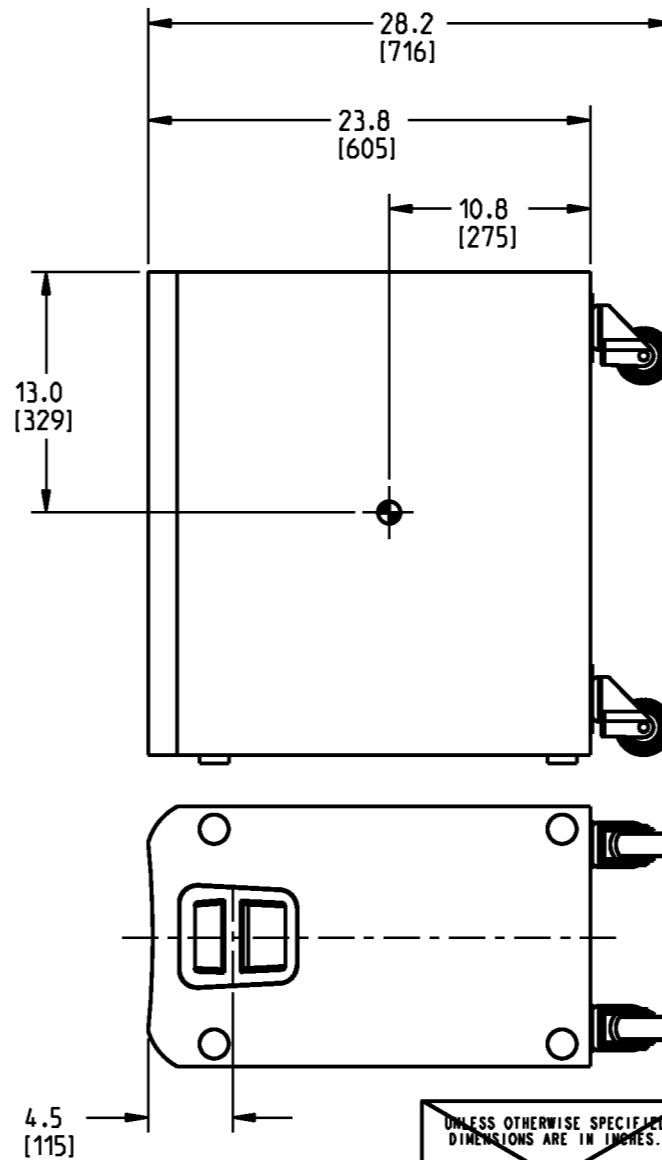
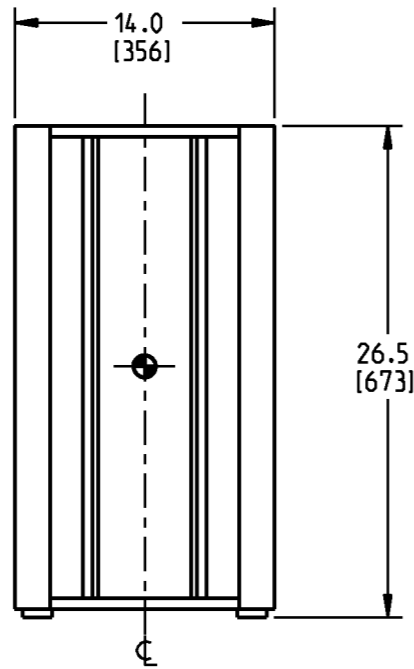
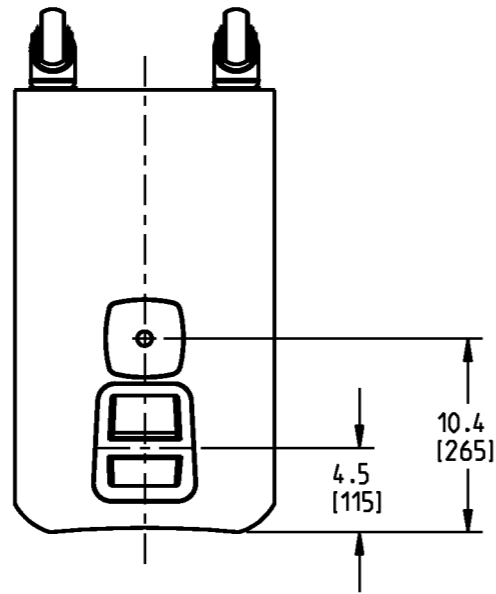


THIS DOCUMENT CONTAINS PROPRIETARY INFORMATION WHICH IS THE PROPERTY OF QSC AUDIO PRODUCTS. THAT MAY NOT BE DISCLOSED, REPRODUCED OR USED WITHOUT EXPRESS WRITTEN PERMISSION OF QSC AUDIO PRODUCTS.

REVISIONS				
REV	DESCRIPTION	EFF DATE	CHK	APVD
A	PRODUCTION RELEASE W/O CHANGE PER ECO 9238 JD	5-26-09	CD	DD



- 4. PARTS ARE SYMMETRICAL ABOUT CENTER LINES UNLESS OTHERWISE NOTED.
  - 3. SYMBOL  $\odot$  INDICATES CENTER OF BALANCE.
  - 2. TOLERANCES (INCHES): .X  $\pm$  .13, ANGLES:  $\pm$  1°.
  - 1. NET WEIGHT APPROX. 74 LBS (33.6 KG)
- NOTE: UNLESS OTHERWISE SPECIFIED

<p>UNLESS OTHERWISE SPECIFIED DIMENSIONS ARE IN INCHES.</p> <p>TOLERANCES ARE:</p> <p>DECIMALS DECIMALS ANGLES</p> <p>.XX <math>\pm</math> .02 .XXX <math>\pm</math> .010 <math>\pm</math> 1/2</p> <p>DEBURR EDGES .010 R MAX</p>	CONTRACT NO.		QSC QSC AUDIO PRODUCTS, LLC 1675 MACARTHUR BOULEVARD COSTA MESA, CA 92626	
	APPROVALS		DATE	
	DRAWN J. DELARM		26-May-09	
	CHECKED C. DAVIES		5-21-09	
MATERIAL NONE	ISSUED D. DELARM		5-26-09	
FINISH NONE	SIZE C	CAGE CODE 00PW4	DWG NO. RD-000524-01	REV A
DO NOT SCALE DRAWING	RD-000524-02.main.A.0		SCALE 0.156	SHEET 1 of 1